

INNOVATION IN TOP VENTILATION

TopVent SR UK - **Sky**Vent SR UK



attenuation
up to 43 dB
in open position

Highest class of
wind- and watertightness



TopVent SR UK
Compact & aesthetic



SkyVent SR UK
For high-rise buildings
up to 70 m!

DUCO

We inspire at www.duco.eu



TopVent SR UK

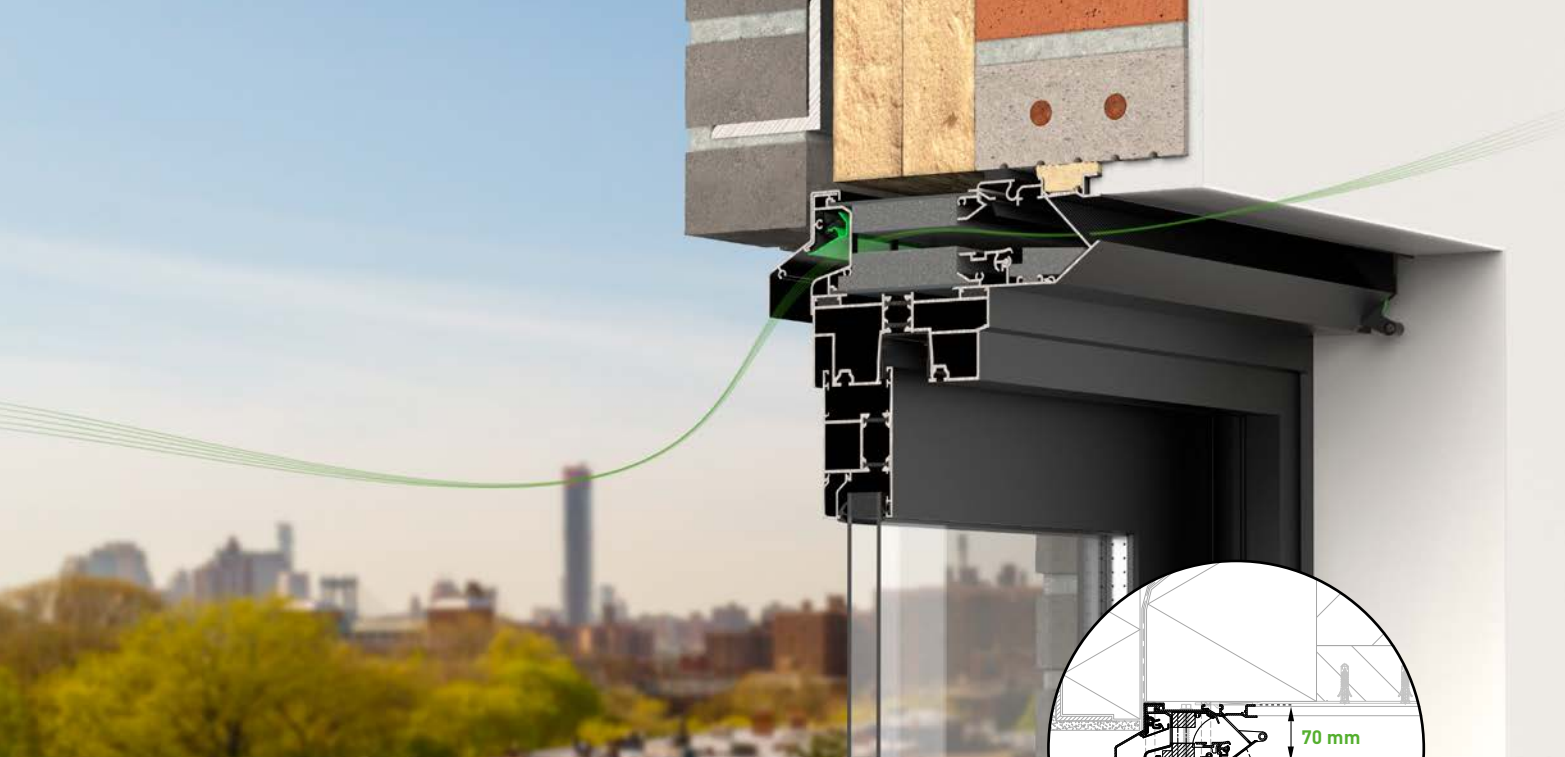
Compact & aesthetic

'Invisible' mounting
on the transom

With the **TopVent** range, DUCO puts energy efficiency and acoustic and thermal comfort first. The aesthetic appearance of the grille is enhanced by the **invisible punching**. The upward airflow guarantees a healthy and comfortable indoor climate. The grille guarantees quick assembly, high stability on the window and the **highest airtightness class**. The top is transparent and fitted with pre-drilled fibreglass-reinforced ties. The anchor channel at the top provides a rapid and secure fixing to the solid structure.

- Optimum aesthetics thanks to **'invisible' punching**
- Suitable for fitting on **any window section**: depths from 60 to 215 mm
- Only **60 mm grille height**
- **Plastic thermal bridge** top and bottom



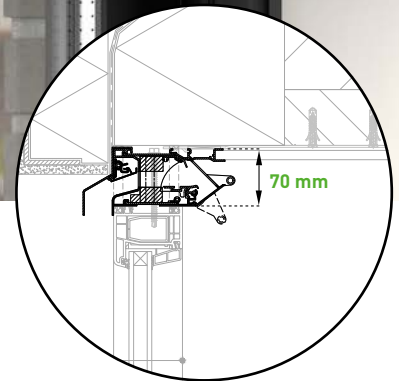


SkyVent SR UK

For high-rise buildings up to 70m!

In the **SkyVent**, an aluminium outer section has been provided for maximum wind and water resistance. Ideal for use in high-rise buildings up to a height of **70 metres**.

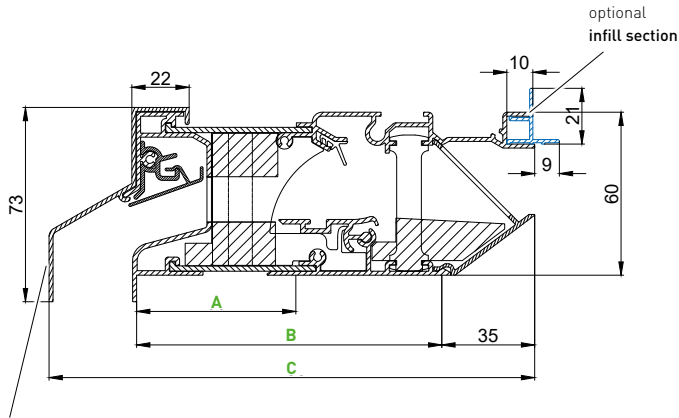
- For high-rise buildings: **up to 70m high!**
- **High performance** ventilation
- Aesthetic outer cover
- **Highest class of** wind- and watertightness



'Invisible' mounting
on the transom



up to
70 m



Outer cap for SkyVent version

TopVent Medio AK

FITTING DEPTHS

Version	Dimensions (see drawing)		
	A	B	C
Corto	60	85	125
Medio	60	115	155
Alto	110*	165	205
Largo	160*	215	255

* Also applicable from 60 mm with extended bottom profile.

→ Ventilation values

Type TopVent SR UK SkyVent SR UK	AirFlow (in m ³ /h/m)			EA (in mm ² /m)	Free Air (in mm ² /m)
	at 1 Pa	at 2 Pa	at 10 Pa	at 1 Pa	
AK EA 5000	4,0	21,3	25,9	5087	17000
AK EA 7500	5,9	31,4	38,2	7504	
AK EA 10000	7,9	42,1	51,2	10048	

* To NBN EN ISO 717

→ Acoustic values

Type TopVent SR UK SkyVent SR UK	D _{n,e} , W (C; C _{tr}) ⁺ (open position) in dB				D _{n,e} , W (C; C _{tr}) ⁺ (closed position) in dB			
	Corto	Medio	Alto	Largo	Corto	Medio	Alto	Largo
AK EA 5000	38 [0;-1]	40 [-1;-2]	41 [-1;-2]	43 [0;-2]	53 [0;-2]	52 [-1;-3]	54 [-1;-4]	58 [-1;-4]
AK EA 7500	36 [0;-1]	38 [-1;-2]	40 [-1;-2]	41 [-1;-2]	52 [0;-2]	52 [-1;-3]	54 [-1;-3]	58 [-1;-4]
AK EA 10000	35 [0;-1]	36 [0;-2]	38 [-1;-2]	39 [0;-2]	51 [0;-1]	52 [-1;-3]	54 [-1;-4]	58 [-1;-4]

* To NBN EN ISO 717

**FOR EVERY PROJECT
A SOLUTION!**

Discover our products in these brochures:



DUCO

We inspire at www.duco.eu